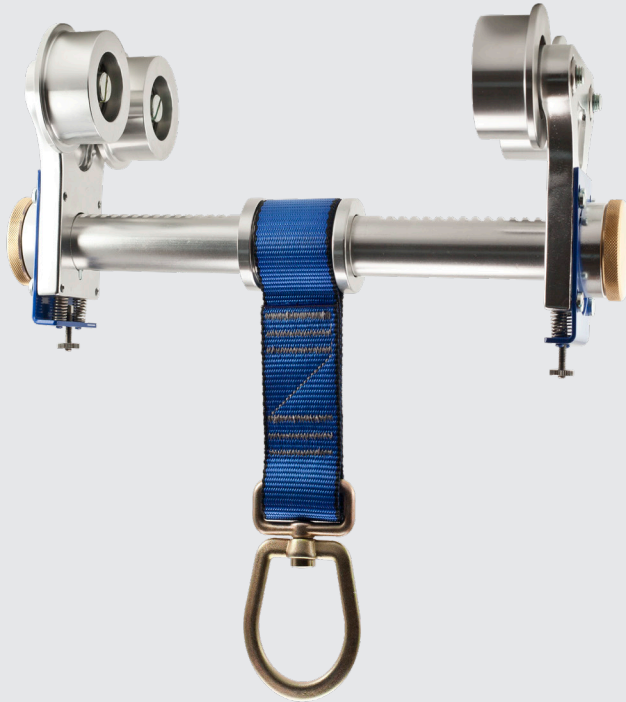
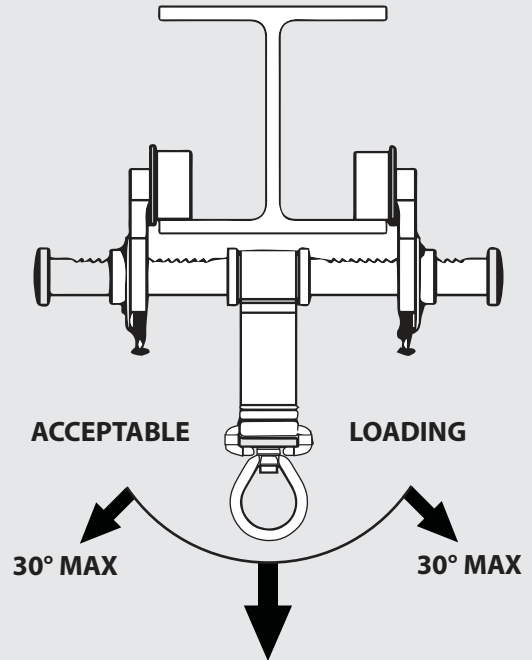


BEAM TROLLEY ANCHOR (5,000-lbf / 22kN)

A removable and reusable rolling I-beam anchor, easy to place and remove. This anchor is designed to easily roll along a beam while trailing the worker.



Adjustable Directions
 Maximum 10" or 255mm
 Minimum 3" or 76mm
 Flange Thickness: 1/4" to 7/8"



PRODUCT CONFIGURATIONS

MODEL	APPLICATION	COLOR	LOADING	WEIGHT
BTA012N	I & H Beams	Blue	5,000-lbf (22kN)	3493g

MATERIALS

- ▼ Rollers
Aluminum
- ▼ Cross Bar
Aluminum
- ▼ Swivel
Zinc Plated Steel
- ▼ Webbing
Polyester
- ▼ Hardware
Stainless Steel

SPECIFICATIONS

- ▼ UTS
5,000-lbf (22kN)
- ▼ Max User Weight
310-lbs / 140kg
- ▼ Working Load
1,000-lbs/ 908kg