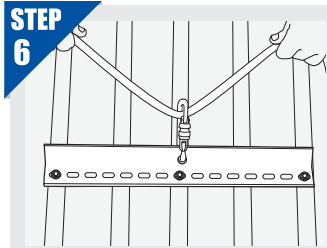


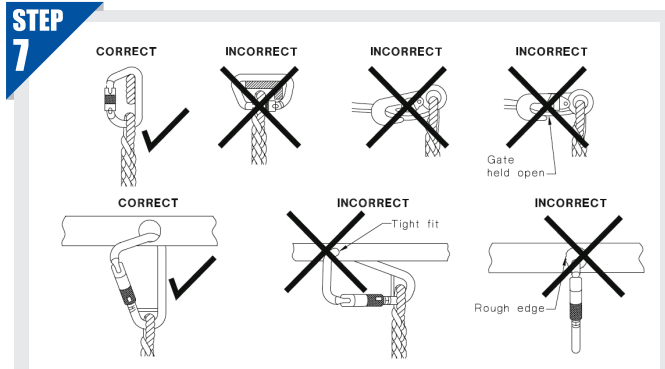
STEP 5

FIX THE TETHER PLATE TO THE CENTRE LINE OF THE ROOF BATTEN OR PURLIN WITH A MINIMUM OF 3 SCREWS TO ACHIEVE 15 KN



STEP 6

FIT KARABINER TO LOADING EYE WITH LOCKING DEVICE FACING UPWARD



STEP 7

PUT ROPE THROUGH KARABINER AND ENSURE KARABINER HAS BEEN FITTED CORRECTLY



STEP 8

ALWAYS WORK A MINIMUM OF 2M FROM UNPROTECTED EDGE.

TO REMOVE THE TETHER PLATE, SIMPLY REVERSE THE PROCESS USED FOR INSTALLATION.

MAINTENANCE

WARNING – MAINTENANCE AND REASSEMBLY ARE TO BE CARRIED OUT BY A COMPETENT PERSON KNOWLEDGEABLE IN THE REPAIR AND MAINTENANCE OF THIS TETHER PLATE.

STORAGE

This tether plate should not be subjected to unnecessary strain or pressure or to excessive heat, humidity or moisture. This tether plate must be protected from contact with sharp edges, corrosive substances and other possible causes of damage.

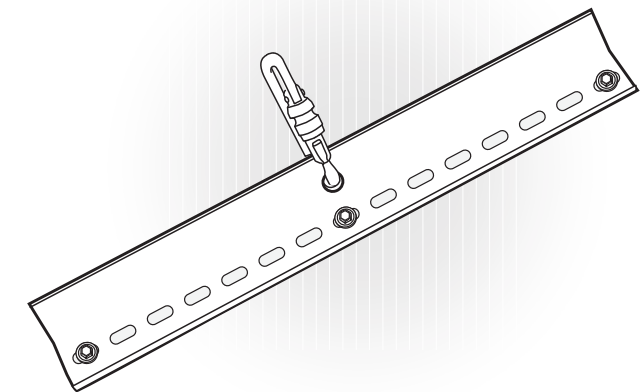
OBSOLESCENCE

If the tether plate has been used to arrest a fall or upon inspection shows any defect it must be withdrawn from service immediately.

DISCLAIMER & CONDITION OF USE

The user of this tether plate must be competent and trained in height safety in accordance with AS/NZS 1891.4 before using this device. The owner of this tether plate must ensure that tether plates are properly labeled and instructions for safe use and appropriate installation guidance are supplied to the user. No responsibility will be accepted by Ballantyne Safety for damage, injury or death resulting from the use or misuse of this tether plate. The user personally assumes the risks and responsibilities for any damage, injury or death which may result from using this tether plate. If you are not in a position or able to assume this responsibility or to take these risks, do not use this tether plate.

CLAW 500 TETHER PLATE



WORKING AT HEIGHTS IS DANGEROUS AND IF DONE WITHOUT ADEQUATE TRAINING AND EQUIPMENT, MAY LEAD TO SEVERE INJURY OR EVEN DEATH

Reading these instructions does not constitute competent training in working at heights or working with fall arrest or travel restraint systems or products. It is your responsibility to ensure that you are competently trained to work at heights and, in particular, in the use of fall arrest or travel restraint safety systems before using this tether plate.

Ballantyne Safety
P.O.Box 108
Albion BC
Albion QLD 4010
Phone: (07) 3357 9503
Email: info@ballantynesafety.com.au

DESIGN & APPLICATION

This tether plate is designed and tested to 15kN and is therefore rated as a single person fall arrest tether plate under AS/NZS 1891.4. While this tether plate has been designed to attain a fall arrest rating, this device should always be used with a travel restraint technique.

THIS TETHER PLATE IS NOT FITTED WITH AN INTERNAL ENERGY ABSORBING DEVICE. AN ENERGY ABSORBING DEVICE MUST BE USED IN CONJUNCTION WITH THIS TETHER PLATE.

This tether plate IS suitable for:

- users who are trained in height safety
- use on roofs constructed with metal roof sheeting with a minimum base metal thickness of 0.42mm in Trimdek
- use in working at heights in normal climatic conditions
- 360 degree roof work
- direct connection of personal fall-arrest equipment for a single person

This tether plate IS NOT suitable for and MUST NOT be used:

- without training in height safety
- on shingled, aluminium sheet, asbestos or decramastic roofs
- as an anchorage device for temporary horizontal life lines
- as an anchor point to lift equipment or restrain equipment
- as an abseil anchor
- or connected to by more than 1 person or more than 1 line

THIS TETHER PLATE MUST NOT BE ALTERED OR MISUSED IN ANY WAY.

Alterations or misuse of this or any other device used in your safety system may result in serious injury or death.

THIS TETHER PLATE IS ONLY ONE PART OF A SAFETY SYSTEM.

Other products/devices must be used in conjunction with this tether plate in order to operate safely in travel restraint or fall arrest mode and such products/devices must comply with AS/NZS 1891.

EACH ITEM USED IN YOUR SAFETY SYSTEM SHOULD COME WITH ITS OWN MAINTENANCE, SERVICING AND OPERATING INSTRUCTIONS.

You must follow each set of instructions closely and carefully.

TETHER PLATE INSPECTION

Immediately before using this tether plate each time it must be inspected by a competent person to ensure that it is in a perfect, serviceable condition and operates correctly. The tether plate must be inspected for any worn or damaged parts, any signs of deterioration, any sharp edges, burrs, cracks or corrosion or any signs of being deformed (such as a shock loading, being dropped from a height or run over by a vehicle). The securing eye must not be damaged or distorted in any way.

IF THE TETHER PLATE HAS BEEN USED TO ARREST A FALL OR UPON INSPECTION SHOWS ANY DEFECT IT MUST BE WITHDRAWN FROM SERVICE IMMEDIATELY

In addition to the above, prior to entering this tether plate into service for the first time, a competent person must also inspect the tether plate and give particular attention to whether the tether plate has been correctly assembled and whether all component parts are present, including the instructions.

If you are in any doubt whatsoever about the condition of this tether plate, remove it from service immediately and replace it. You should also have this tether plate thoroughly inspected every 12 months by a competent person. This inspection should be completed and recorded in accordance with AS/NZ 1891.4.

YOUR LIFE MAY DEPEND ON YOUR EQUIPMENT.

The user should be fully aware of its history (use, storage, inspections etc). If this equipment is not for personal use (for example, being used by multiple users) we strongly recommend a systematic approach to inspection and record keeping. This should always be carried out by a competent person.

ROOF INSPECTION

The roof sheeting to which this tether plate is to be attached should be capable of sustaining an ultimate load equal to or greater than 15kN for single point connections as per AS/NZS 1891.4. Any signs of excessive rust, missing or loose roof nails or screws, tears or splits in the metal or damaged sheets or purlins would all

be strong indicators that the area is not safe for installation.

If it is unclear to the height safety supervisor inspecting the roof that the anchorage system is not structurally adequate, it should be assessed by an engineer in accordance with AS/NZS 1891.4.

INSTALLATION INSTRUCTIONS

THIS TETHER PLATE MUST BE INSTALLED BY A COMPETENT PERSON PRIOR TO THE OPERATOR ATTACHING TO IT.

Positioning of the tether plate is crucial for safety. Height of the fall and rope stretch should be carefully considered. Users must be adequately trained and take care to adjust the safetyline length to ensure that the user will not be able to fall off any edge of the roof. AS/NZS 1891.4 sets out the safe use of anchors, in particular, safe access and avoiding lateral swing.

TO INSTALL TETHER PLATE FOLLOW THESE STEPS:

STEP 1

INSPECT THE ATTACHING AREA IN ACCORDANCE WITH INSTRUCTIONS ABOVE AND AS/NZS1891.4

STEP 2

INSPECT THE TETHER PLATE IN ACCORDANCE WITH INSTRUCTIONS ABOVE AND AS/NZS 1891.4

STEP 3

ASSESS THE ROOF AND SELECT THE APPROPRIATE SCREWS, FOR METAL ROOFS WITH:

TIMBER BATTENS USE:

4/12-11 x 65mm hi grip type 17 self drilling timber screws (minimum penetration 35mm)

METAL BATTENS USE:

4/12-11 x 50mm hi grip type 17 self drilling timber screw

STEEL PURLINS USE:

4/12-14 x 45mm hi grip tek self drilling tek screws

Builders brand screws (BX symbol) are recommended.

STEP 4

LOCATE THE APPROPRIATE FIXING POINT ON THE ROOF

CONTINUED OVERLEAF...